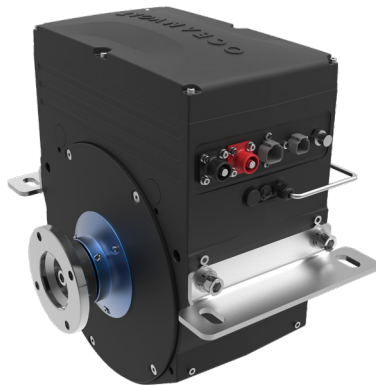


NEW 2022*



OCEANVOLT

The Next Generation of Electric Shaft Drive Motors



AXC12



AXC24



AXC36*

*AXC36 available Q1/23



THE NEW & IMPROVED OCEANVOLT AXC SERIES

The next generation of Oceanvolt AXC series is specially designed for larger, heavier displacement boats including charter catamarans, non-planing motorboats and cruising sailboats:

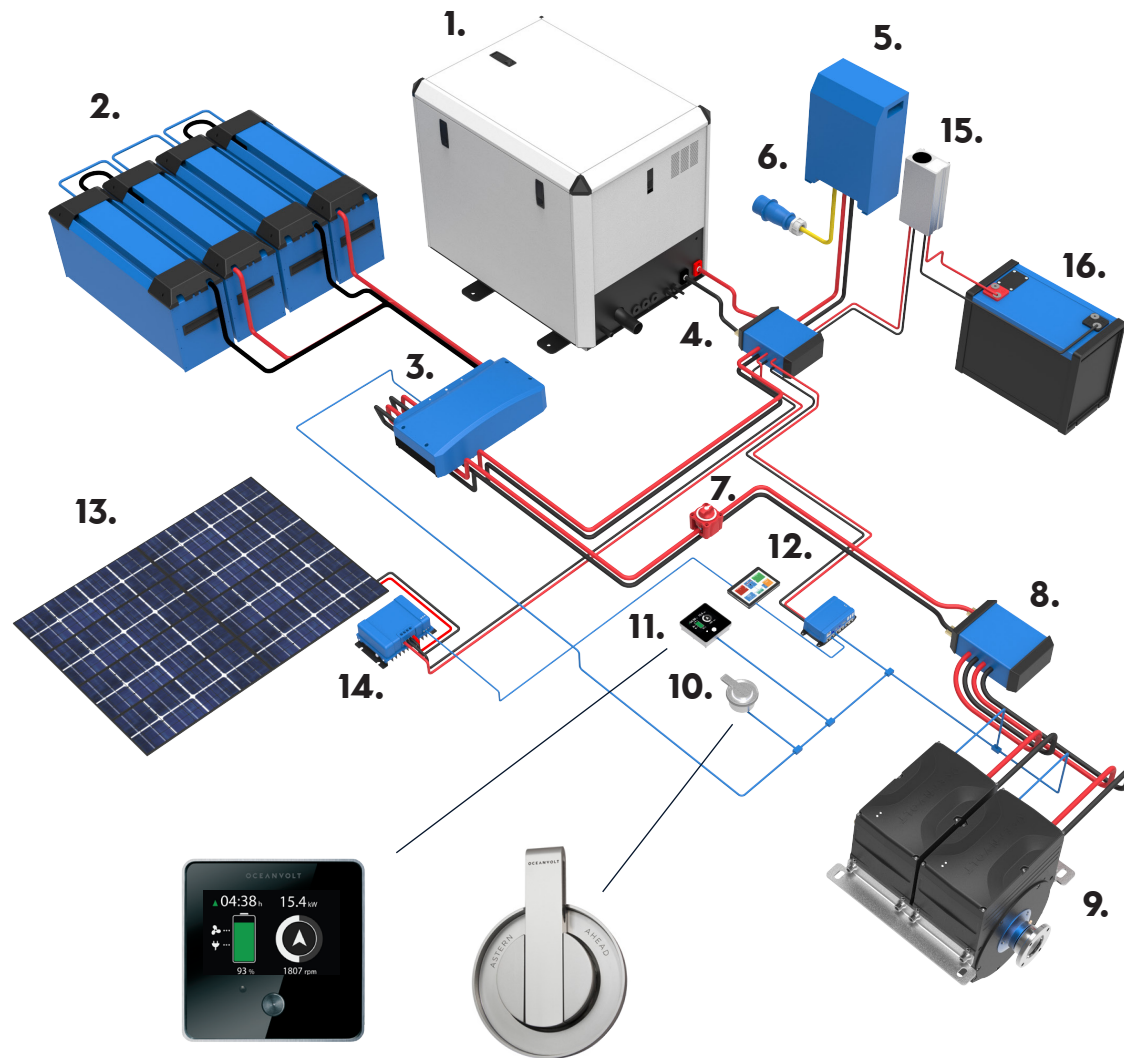
- Modular 12kW 48V motors with integrated motor controller
- Fewer modules needed to achieve same power, so less weight and space required
- Direct drive for silent and efficient propulsion
- Liquid cooled
- Versatile motor with a wide speed range (920-1400rpm) for nominal and peak power
- Available in 12kW, 24kW and 36kW* power configuration

*available 2023





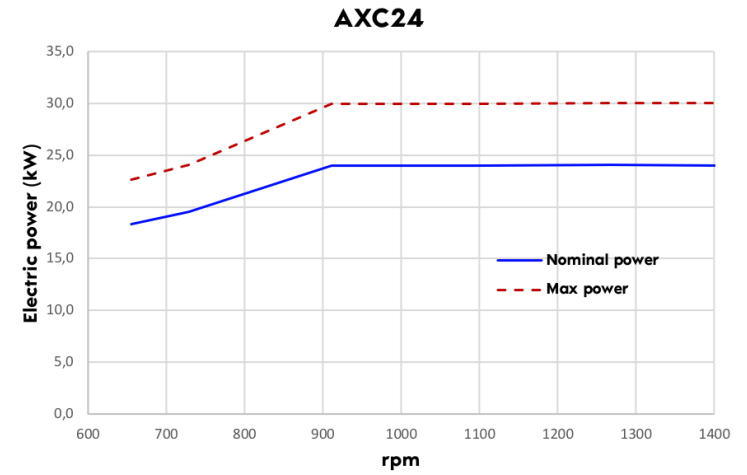
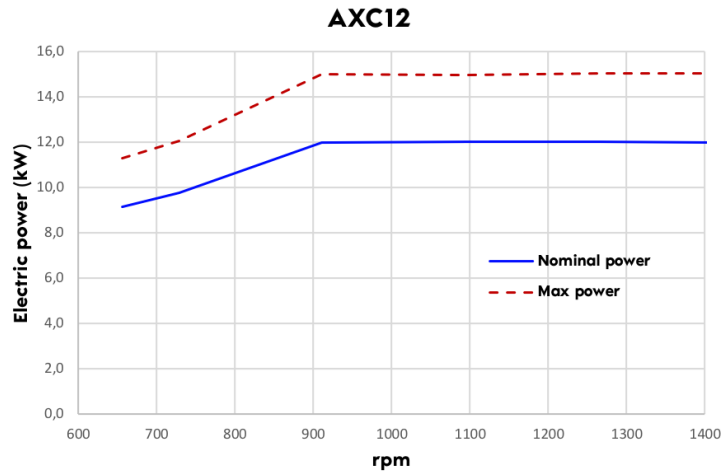
INDICATIVE SYSTEM DRAWING



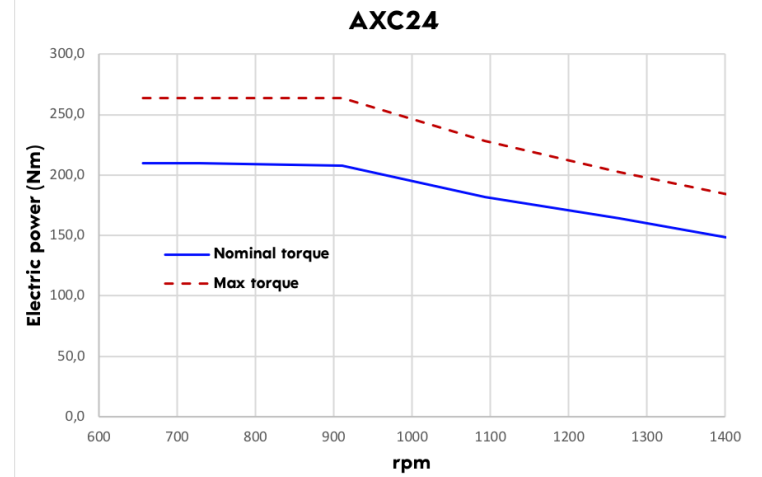
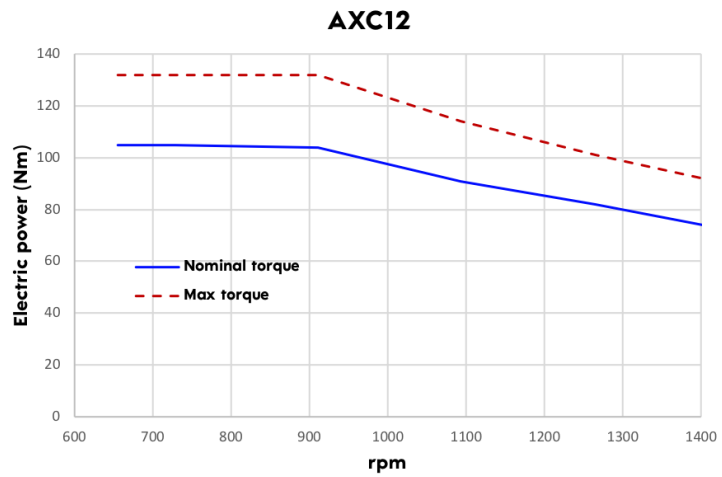
1. DC Generator
2. Propulsion battery pack
3. Battery connection box
4. BUS bar
5. Charger/Inverter
6. Shore power input
7. Main switch
8. BUS bar
9. Electric shaftdrive motor
10. Control lever
11. Oceanvolt display
12. System control & monitoring
13. Solar panels
14. Solar charger
15. DC/DC Converter
16. Housebattery



POWER



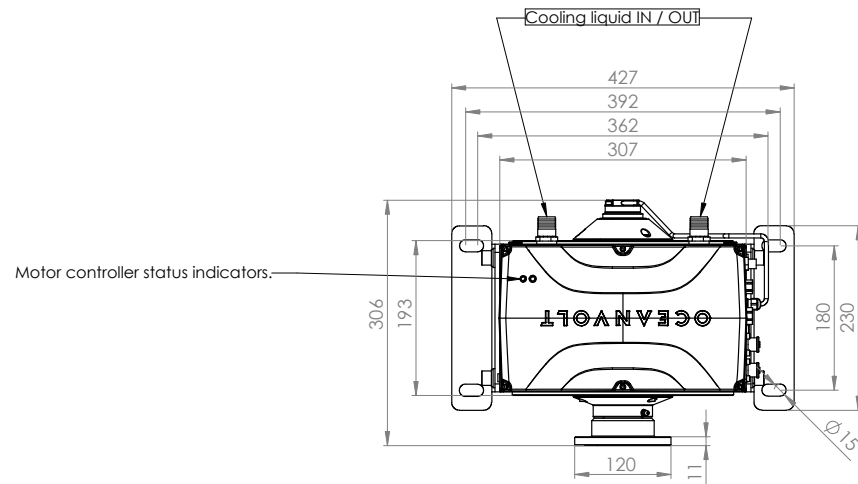
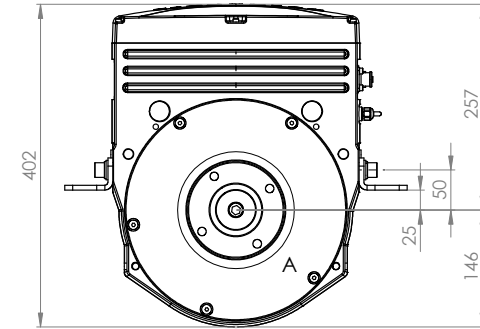
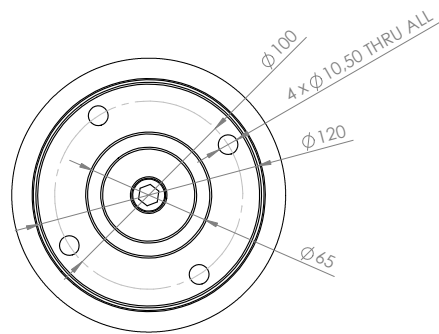
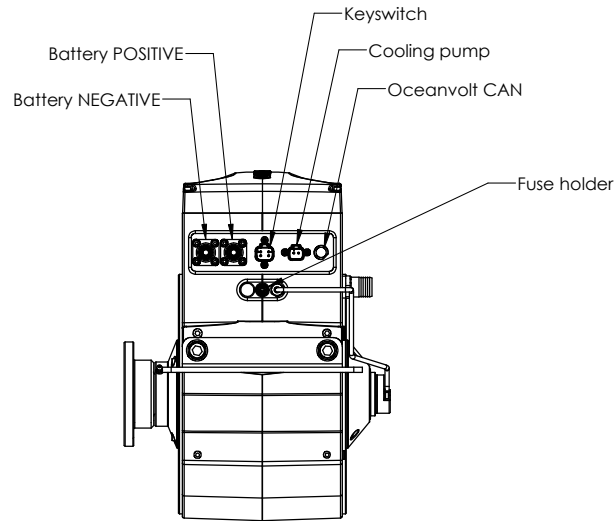
TORQUE



Disclaimer: everything presented are subject to change and thus preliminary



DIMENSIONS





TECHNICAL SPECIFICATIONS:

| Motor | AXC12 | AXC24 | AXC36 (NEW Q1/23) |
|--------------------------------------|--------------|--------------|----------------------|
| Continuous power | 12kW | 24kW | 36kW |
| Peak power | 15kW | 30kW | TBA |
| Rated propeller shaft speed (rpm) | 950 | 950 | TBA |
| Suitable propeller speed range (rpm) | 950-1400 | 950-1400 | 950-1400 |
| Equivalent installation HP | 45 | 80 | 120 |
| Motor weight (kg) | 44 | 88 | 132 |
| Dimensions (LWH / mm) | 306x427x402 | 499x427x402 | 692x427x402 |
| Boat length (m) | up to 11 | up to 14 | up to 16 |
| Boat weight (kg) | up to 10 000 | up to 19 000 | up to 30 000 |
| Cooling | Liquid | Liquid | Liquid |

Disclaimer: everything presented are subject to change and thus preliminary



OCEANVOLT

Clean Electric Power & Propulsion



Scan to access
more information

For more information
contact sales@oceanvolt.com
or visit www.oceanvolt.com

Disclaimer: everything presented is subject to change and thus preliminary

OCEANVOLT