



# INTRODUCING THE MOST POWERFUL HYDROGENERATION ON THE MARKET

## Oceanvolt HighPower ServoProp

The patented 48V Oceanvolt HighPower ServoProp (HPSP) variable pitch saildrive combines a high efficiency saildrive with the most powerful hydrogenerator on the market. One of the unique features of the HighPower ServoProp is the possibility to rotate the propeller blades 360 degrees, allowing for ultimate efficiency in both propulsion and electricity generation.

- Main features:
  - Market leading hydrogeneration
  - Easy to service, without having to lift the boat out of the water
  - Can be installed with propeller facing backwards or forwards for improved hydrogeneration and more efficient propulsion
  - Rope cutter
  - Including liquid cooling and flexible mounting

The HPSP is suitable as a propulsion motor for boats up to 70 ft in length and weighing up to 25 tons. It can also be used as a hydrogenerator in substantially larger vessels.



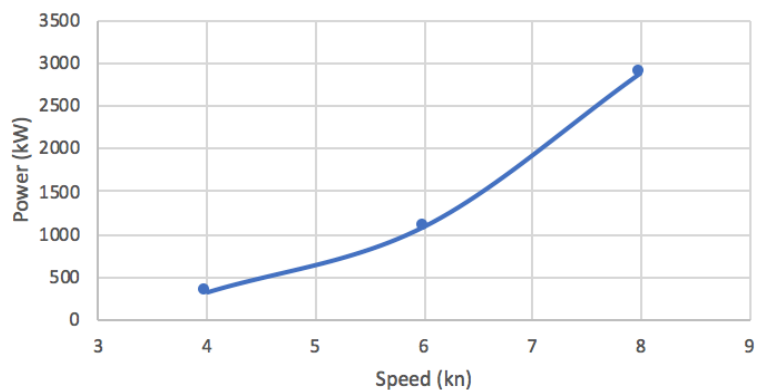
Preliminary rendering of the Oceanvolt HighPower ServoProp

## Hydrogeneration

The hydrogeneration or “creating energy while sailing” function is a standard feature in all Oceanvolt motors.

This feature is activated by pressing the button on the Oceanvolt display for five seconds. The display will then switch to regeneration mode, displaying the generated power, RPM and time remaining until the batteries are fully charged.

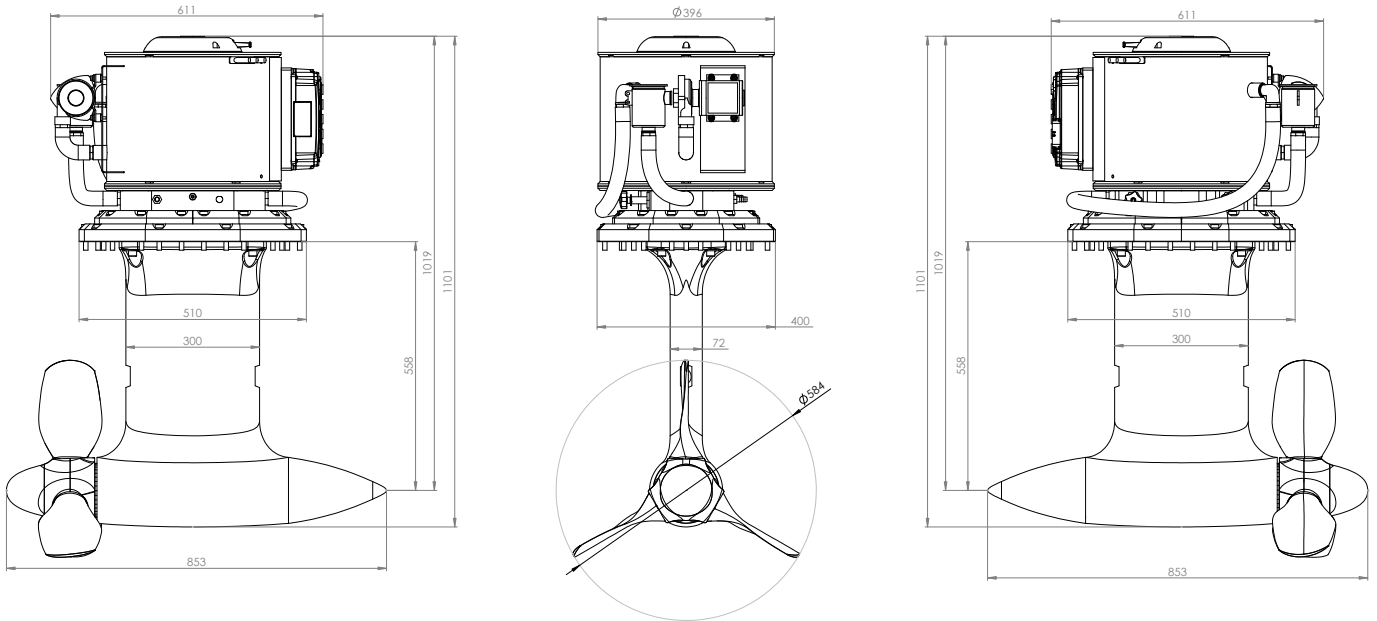
- The HighPower ServoProp is capable of generating:
  - 1 kW at 6 knots
  - 3 kW at 8 knots
  - 5 kW at 10 knots



**For more information:** contact [sales@oceanvolt.com](mailto:sales@oceanvolt.com)



## Preliminary dimensions



## Technical specifications

Motor	HPSP 30
Peak power (15 min)	30 kW
Nominal power	25 kW
Propeller diameter	23 inches
Equivalent HP	75 HP
Motor weight	190 kg
Motor dimensions	H: 1101 mm W: 400 mm D: 853 mm
Boat length	up to 21 m
Boat weight	up to 25 000 kg
Cooling	Liquid

For more information: [contact sales@oceanvolt.com](mailto:sales@oceanvolt.com)